



HBP-1000-4 BLOWER PURGE DESICCANT AIR DRYER GENERAL ARRANGEMENT

TOLERANCES UNLESS
OTHERWISE SPECIFIED:

FRACTIONS = ± 1/4 "
 ANGLES = ± 3°
 INCHES = ± 1/2 "
 FINISH = 250

THE SPECIFICATIONS AND DRAWINGS DISCLOSED HEREIN ARE THE SOLE PROPERTY OF ALTEC AIR, AND SHALL NOT BE COPIED OR USED AS THE BASIS FOR SALE OR MANUFACTURE WITHOUT EXPRESS WRITTEN PERMISSION.

REVISION LOG

REV.	ECO.	DESCRIPTION	DATE	APPROVED
D	0841	PRODUCTION UPDATES	3/18/2019	WS

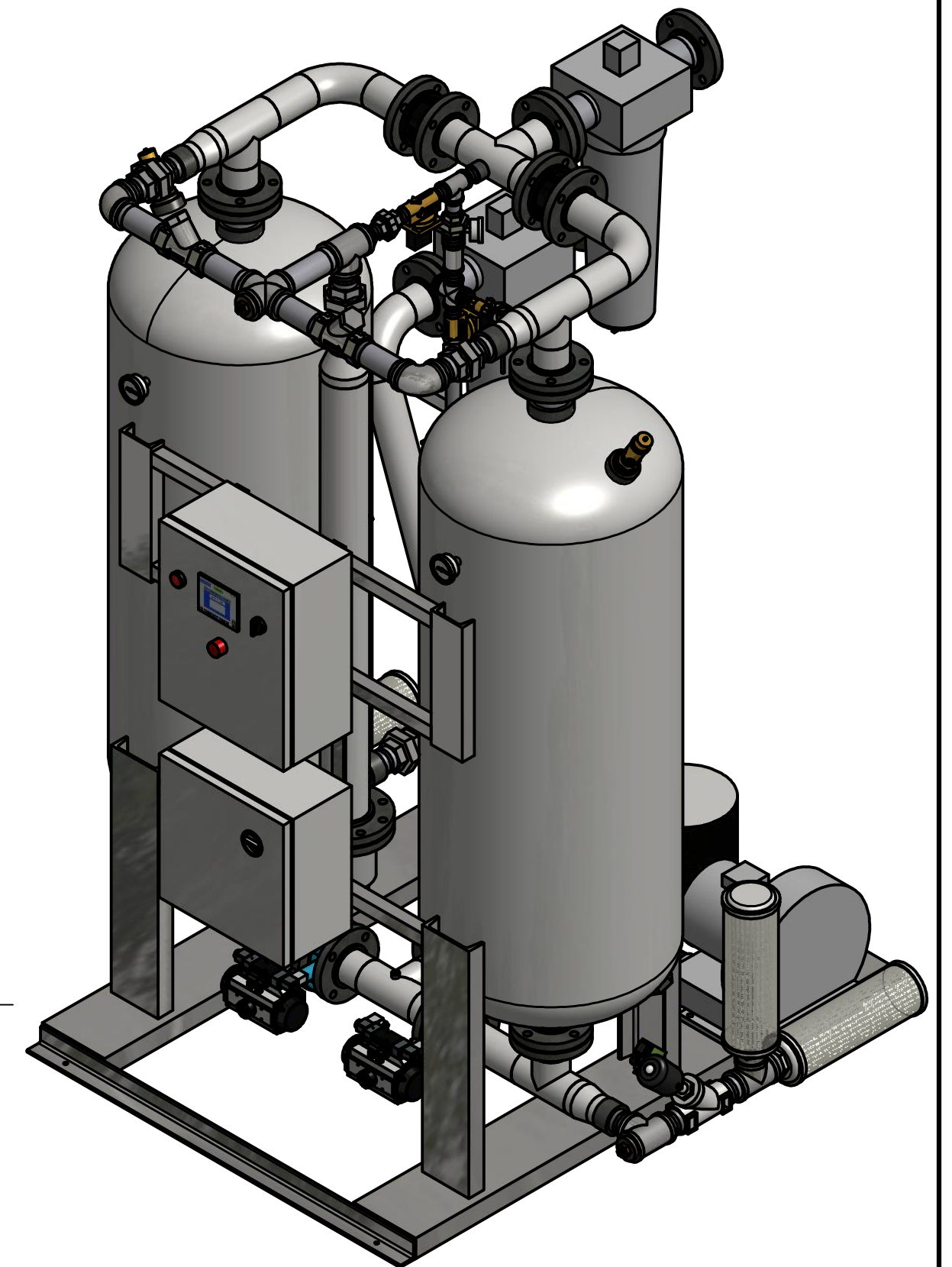
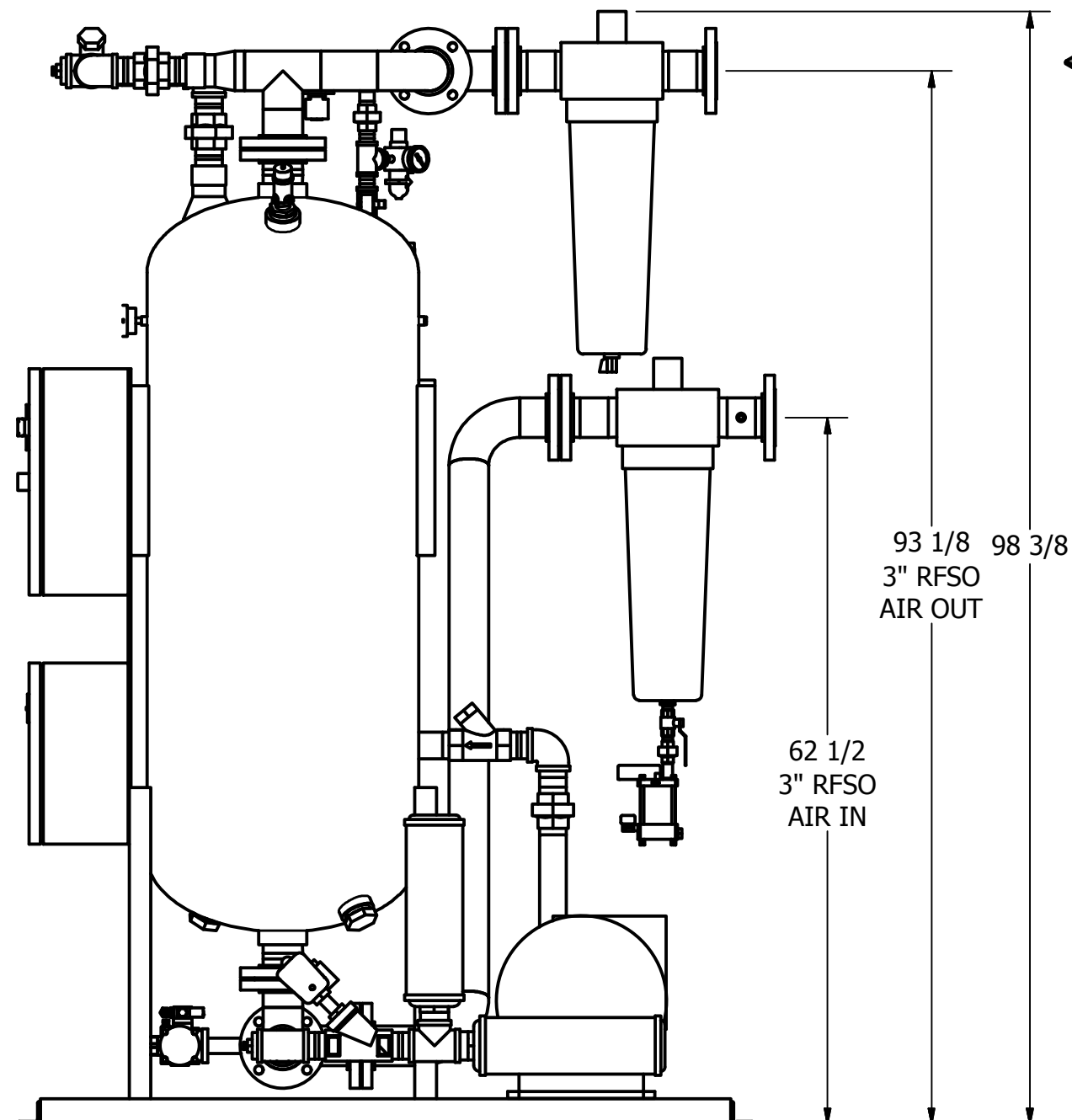
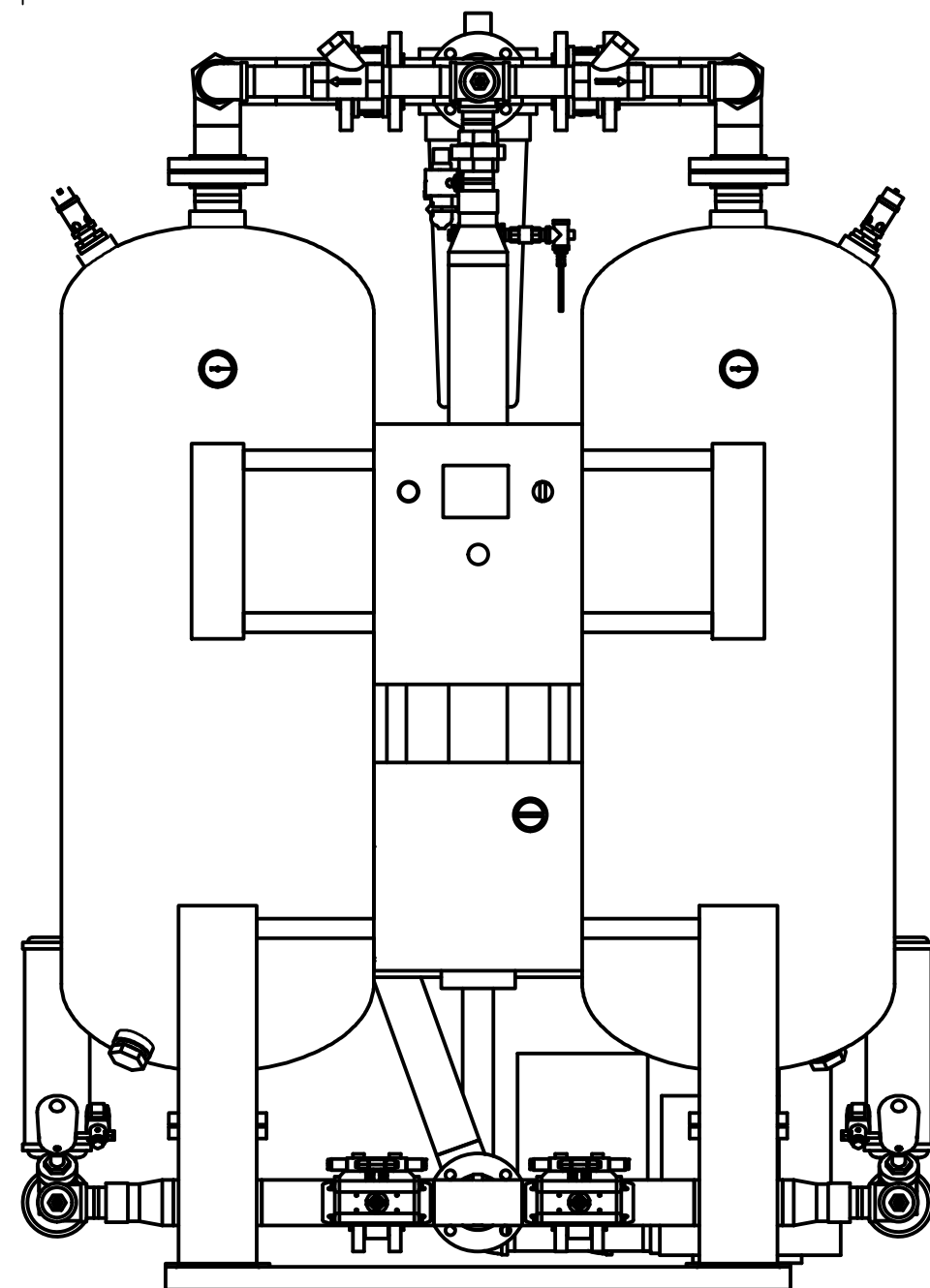
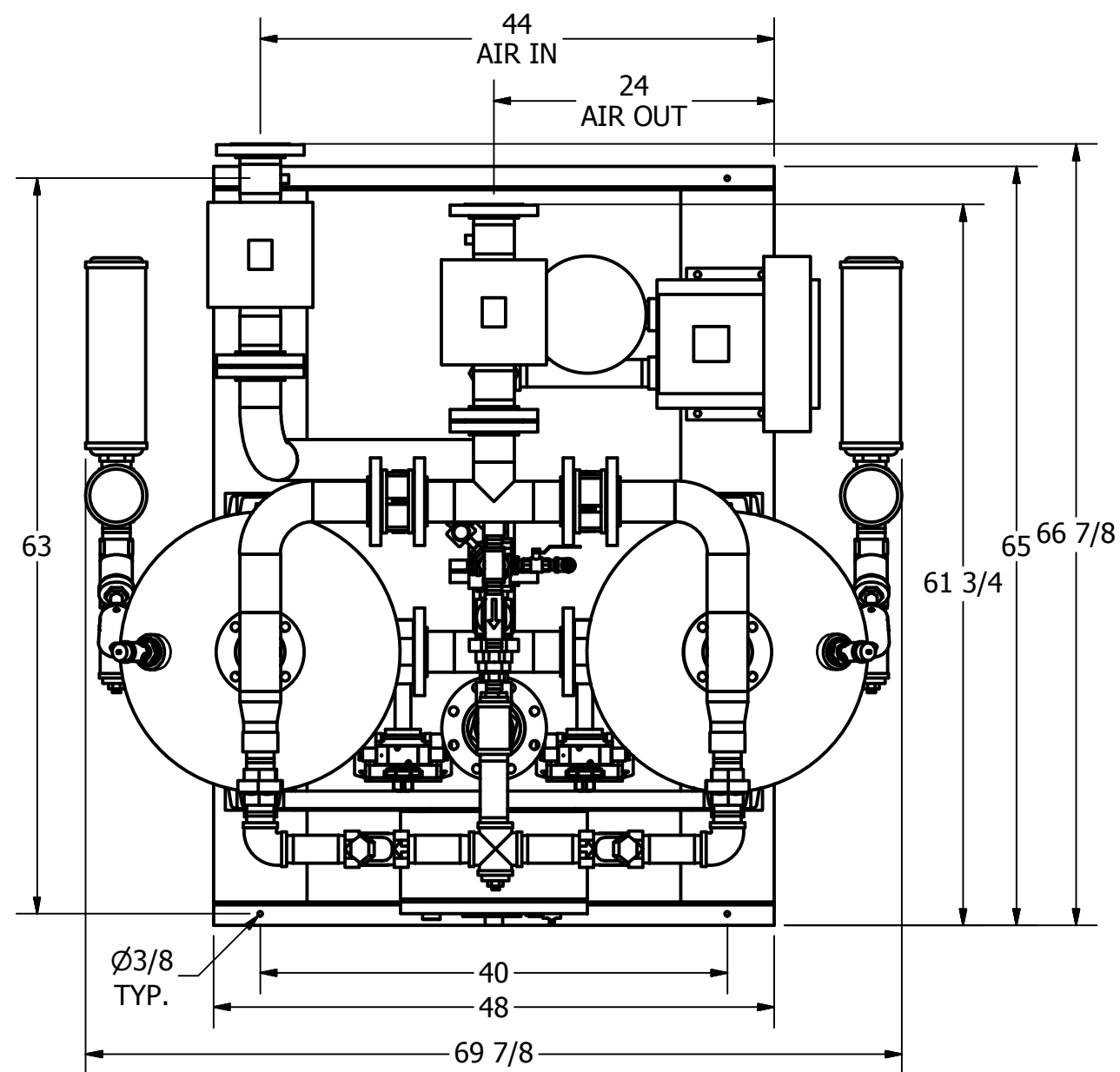
DRAWING NO.

AT20-413

REV.
D

DRAWN: MR
 CHECKED: DATE: 11/12/2015

SCALE: N/A SHEET: 1 OF 2



PRELIMINARY



HBP-1000-4 BLOWER PURGE DESICCANT AIR DRYER GENERAL ARRANGEMENT

TOLERANCES UNLESS
OTHERWISE SPECIFIED:

FRACTIONS = ± 1/4 "
 ANGLES = ± 3°
 INCHES = ± 1/2 "
 FINISH = 250

THE SPECIFICATIONS AND DRAWINGS DISCLOSED HEREIN ARE THE SOLE PROPERTY OF ALTEC AIR, AND SHALL NOT BE
 COPIED OR USED AS THE BASIS FOR SALE OR MANUFACTURE WITHOUT EXPRESS WRITTEN PERMISSION.

REVISION LOG

REV.	ECO.	DESCRIPTION	DATE	APPROVED
D	0841	PRODUCTION UPDATES	3/18/2019	WS

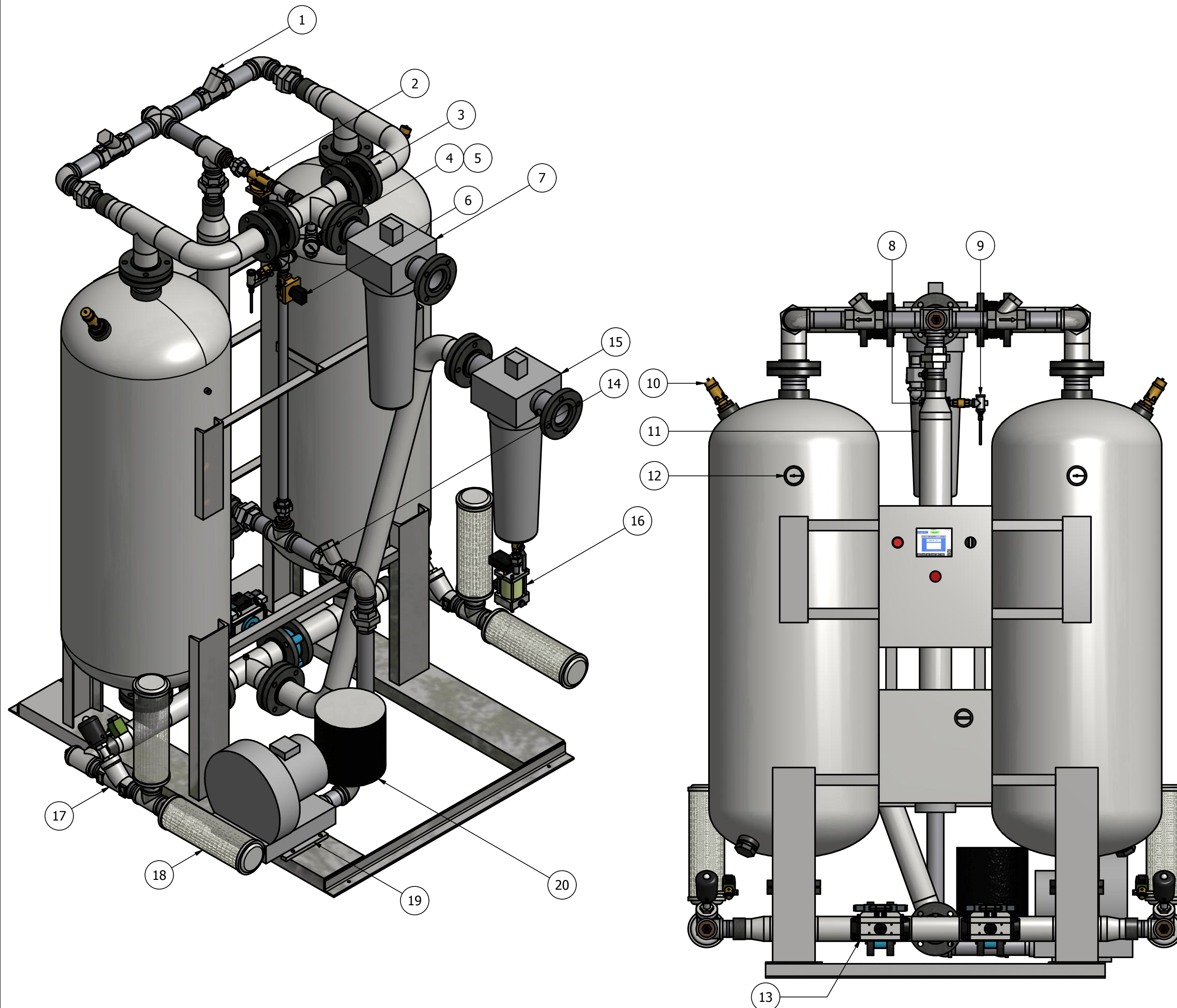
DRAWING NO. **AT20-413** REV. **D**

DRAWN: MR DATE: 11/12/2015
 CHECKED: DATE:

SCALE: N/A SHEET: 2 OF 2

PARTS LIST

ITEM	QTY	DESCRIPTION
1	2	CHECK VALVE, PURGE
2	1	SOLENOID VALVE, REPRESS
3	2	CHECK VALVE, OUTLET
4	1	PRESSURE REGULATOR, CONTROL
5	1	PRESSURE GAUGE, CONTROL
6	1	SOLENOID VALVE, 2%
7	1	PARTICULATE AFTER-FILTER
8	1	MOISTURE INDICATOR
9	1	DEW POINT MONITOR (OPTIONAL)
10	2	RELIEF VALVE, TANKS
11	1	15 KW HEATER
12	2	PRESSURE GAUGE, TANKS
13	2	BUTTERFLY VALVE, INLET
14	1	CHECK VALVE, BLOWER
15	1	COALESCER PRE-FILTER
16	1	ZERO LOSS DRAIN
17	2	ANGLE BODY VALVE, EXHAUST
18	2	MUFFLER, EXHAUST
19	1	5 HP BLOWER
20	1	BLOWER FILTER
21	1450 LBS	DESICCANT



PRELIMINARY